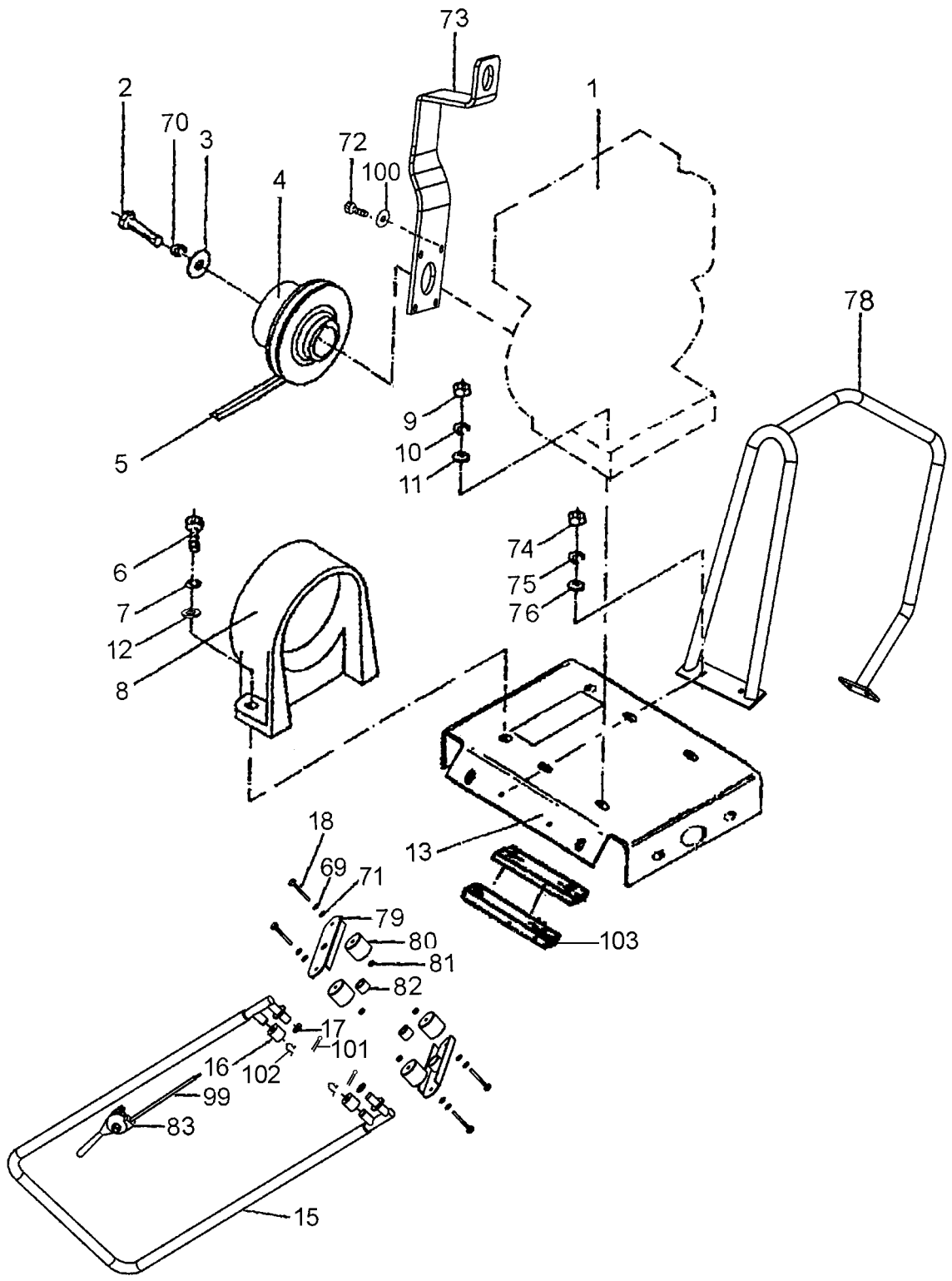


**MASALTA®**



# **PARTS MANUAL PLATE COMPACTOR MS100**

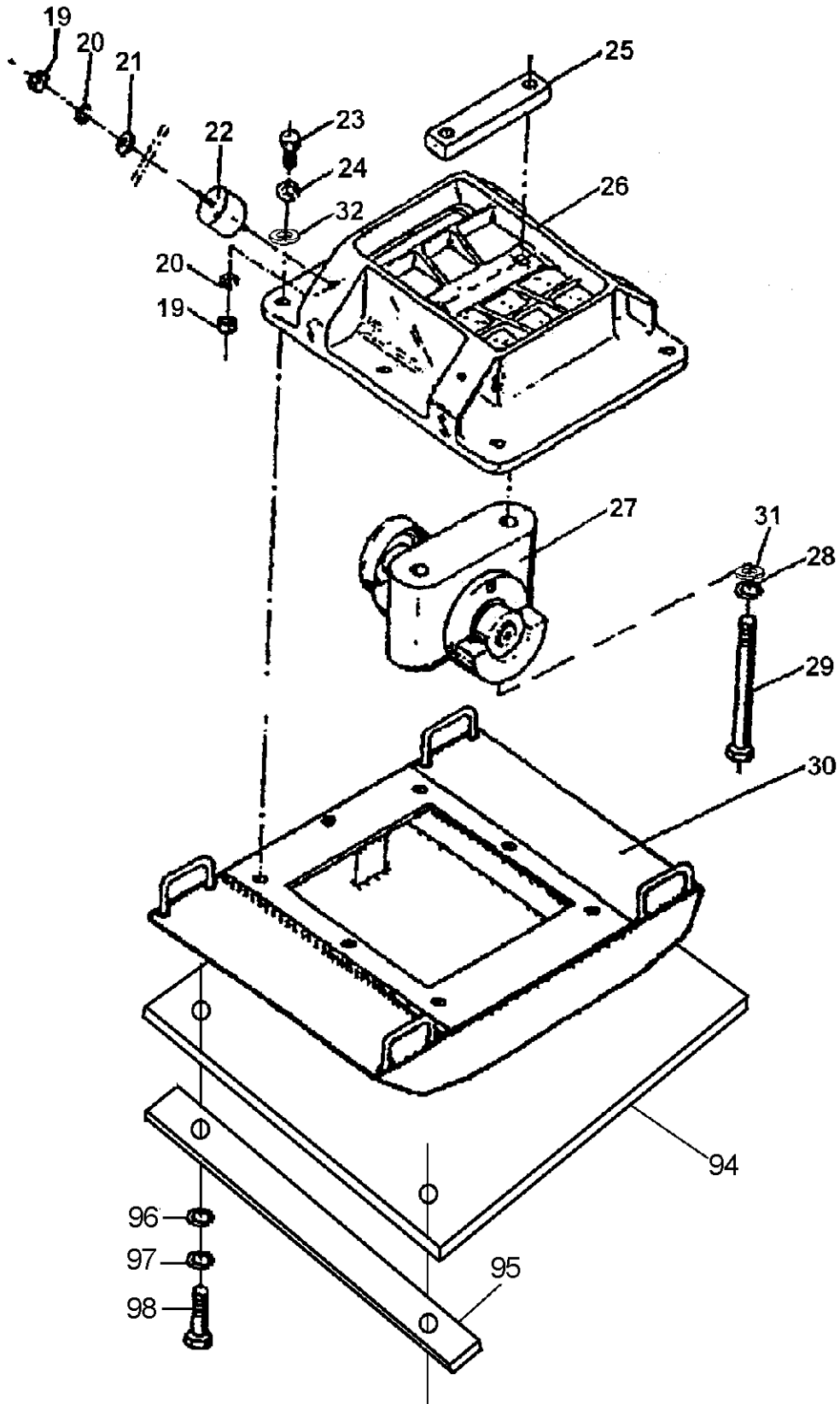




MS100 PARTS LIST 1

# MS100 PARTS LIST 1

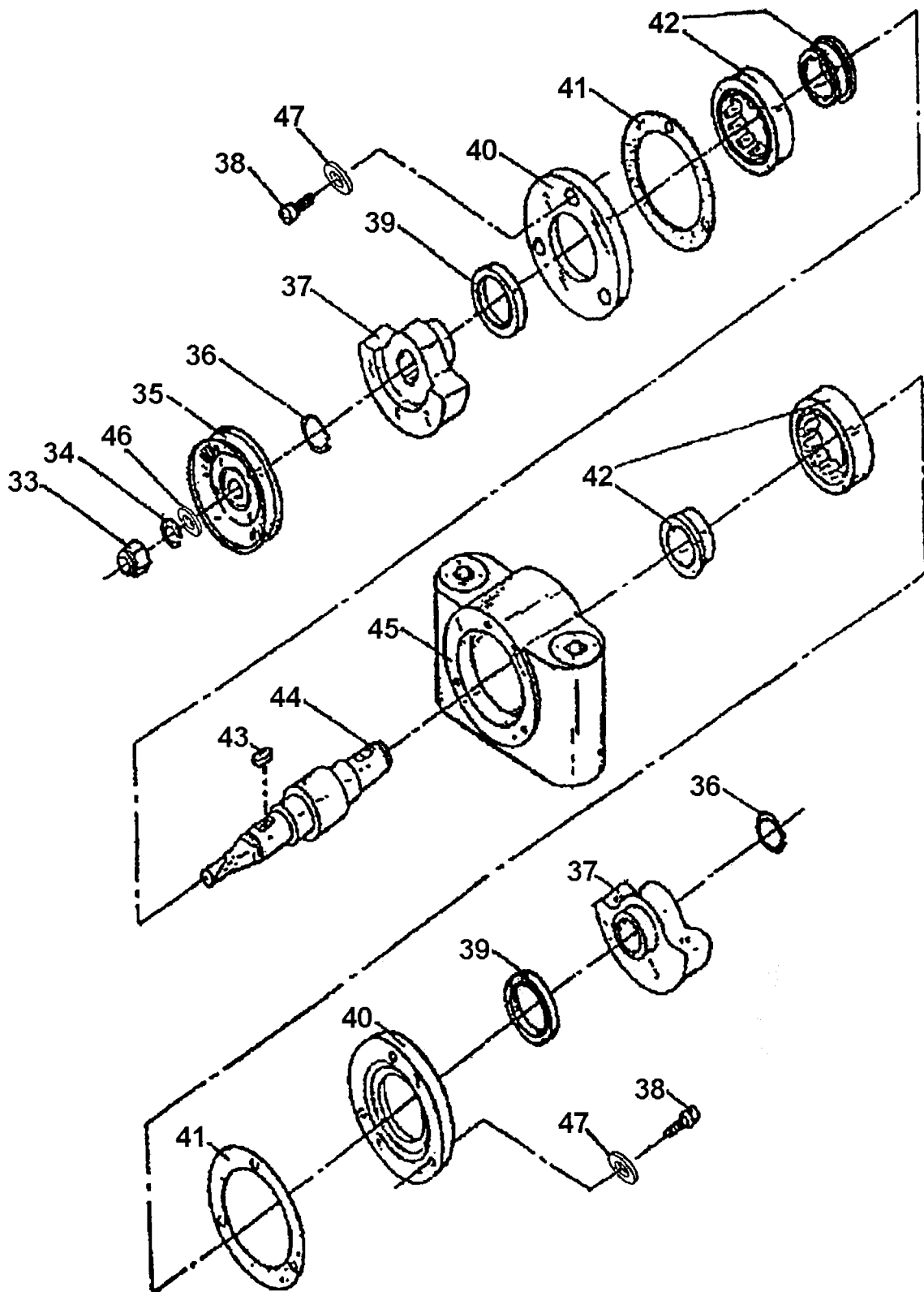
| ITEM NO. | PART NO.   | DESCRIPTION                       | QTY |
|----------|------------|-----------------------------------|-----|
| 1        | 0020001-1  | DIESEL ENGINE                     | 1   |
|          | 0020001-2  | HONDA ENGINE                      | 1   |
|          | 0020001-3  | ROBIN ENGINE                      | 1   |
| 2        | 0070000    | BOLT-GB70                         | 1   |
| 3        | 0097000    | WASHER-GB97.1                     | 1   |
| 4        | 2006000-1  | CLUTCH CPL FOR DIESEL ENGINE      | 1   |
|          | 2006000-2  | CLUTCH CPL FOR HONDA ENGINE       | 1   |
|          | 2006000-3  | CLUTCH CPL FOR ROBINE ENGINE      | 1   |
| 5        | 0013575-1  | V-BELT FOR DIESEL ENGINE          | 1   |
|          | 0013575-2  | V-BELT FOR PETROL ENGINE          | 1   |
| 6        | 0070006    | CAP SCREW M6 X 20-GB70            | 2   |
| 7        | 0093006    | SPRING WASHER6-GB93               | 2   |
| 8        | 2003000    | V-BELT GUARD                      | 1   |
| 9        | 0061708    | NUT M8-GB6170                     | 4   |
| 10       | 0093008    | SPRING WASHER8-GB93               | 4   |
| 11       | 0097008    | WASHER8-GB97.1                    | 4   |
| 12       | 0097006    | WASHER6-GB97.1                    | 2   |
| 13       | 2002000    | ENGINE MOUNTING PLATE             | 1   |
| 15       | 2004000    | HANDLE ASSY                       | 1   |
| 16       | 2005000    | VIBRATION MOUNT                   | 2   |
| 17       | 0089412    | RETAINING RING 12-GB894.1         | 2   |
| 18       | 0057810    | BOLT M10X50-GB5785                | 4   |
| 69       | 0093010    | SPRING WASHER 10-GB93             | 4   |
| 70       | 0093008    | SPRING WASHER 8 - GB93            | 1   |
| 71       | 0097010    | WASHER 10-GB97                    | 4   |
| 72       | 0061708    | NUT M8 - GB6170 (OPTIONAL)        | 4   |
| 73       | 2006001    | LIFTING HOOK (OPTIONAL)           | 1   |
| 74       | 0061708    | NUT M8 - GB6170 (OPTIONAL)        | 4   |
| 75       | 0093008    | SPRING WASHER 8 - GB93 (OPTIONAL) | 4   |
| 76       | 0097008    | WASHER 8 -GB97.1 (OPTIONAL)       | 4   |
| 78       | 2009000    | FRAME ASSEMBLY (OPTIONAL)         | 1   |
| 79       | 2005001    | PLATE                             | 2   |
| 80       | 2005002    | VIBRATION DAMPER                  | 4   |
| 81       | 0061710    | NUT M10-GB6170                    | 4   |
| 82       | 2005003    | VIBRATION DAMPER                  | 2   |
| 83       | A2004001-1 | THROTTLE CONTROL LEVER (OPTIONAL) | 1   |
| 99       | 156006-1   | THROTTLE CONTROL WIRE (OPTIONAL)  | 1   |
| 100      | 0093008    | SPRING WASHER 8 - GB93 (OPTIONAL) | 4   |
| 101      | 2004001    | SPLIT PIN                         | 2   |
| 102      | 2004002    | RETAINING RING                    | 2   |
| 103      | 2005004    | BRACKET                           | 2   |



MS100 PARTS LIST 2

## MS100 PARTS LIST 2

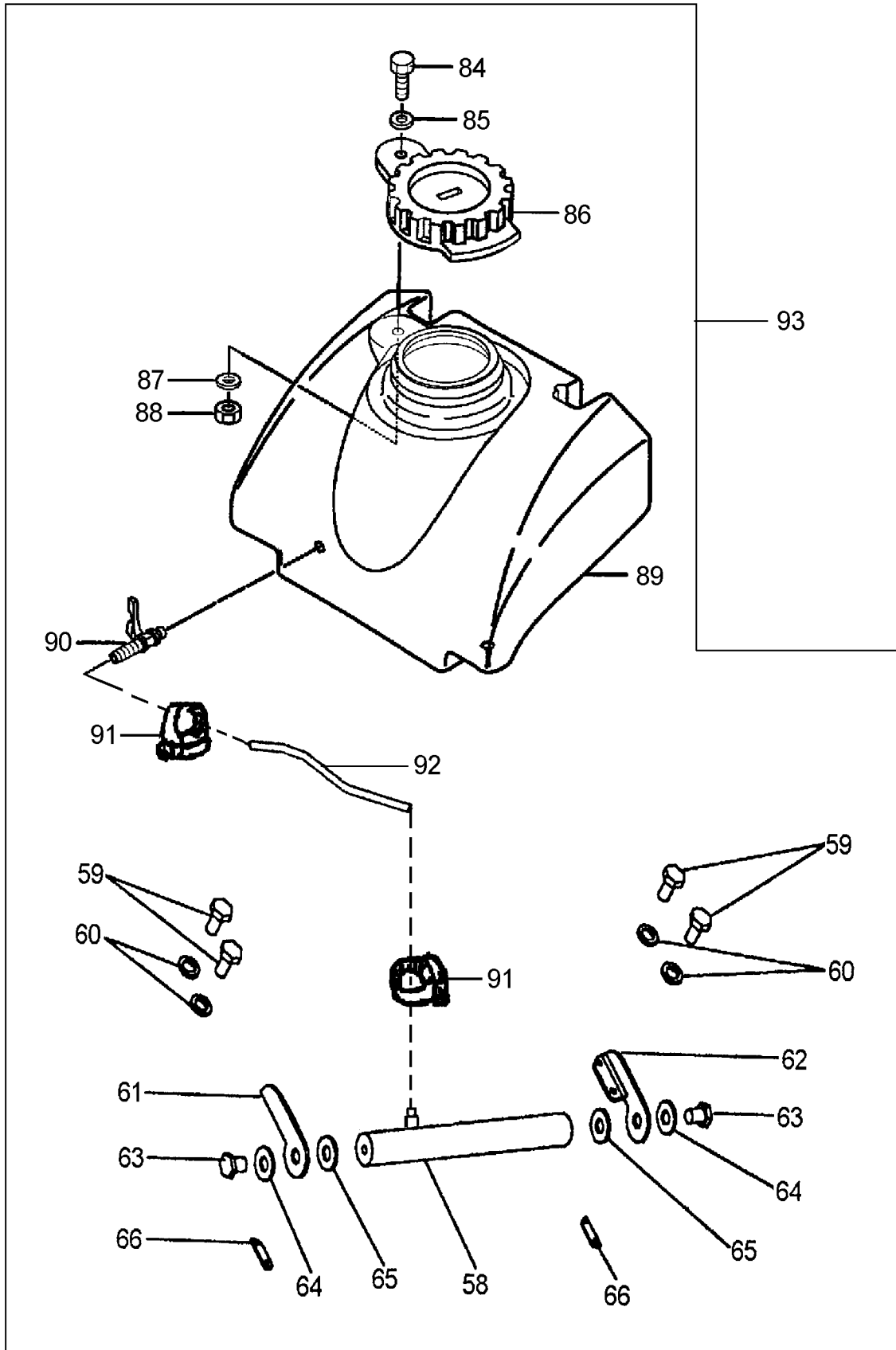
| ITEM NO. | PART NO. | DESCRIPTION                      | QTY |
|----------|----------|----------------------------------|-----|
| 19       | 0061710  | NUT M10-GB6170                   | 8   |
| 20       | 0093010  | SPRING WASHER10-GB93             | 8   |
| 21       | 0097010  | WASHER10-GB97.1                  | 4   |
| 22       | 2002001  | VIBRATION DAMPER                 | 4   |
| 23       | 0057812  | BOLT M12 X 40-GB5782             | 8   |
| 24       | 0093012  | SPRING WASHER12-GB93             | 8   |
| 25       | 2007007  | MOUNTING BAR                     | 1   |
| 26       | 2007006  | ALUMINIUM BASE                   | 1   |
| 27       | 2007000  | EXCITER CPL                      | 1   |
| 28       | 0093016  | SPRING WASHER16-GB93             | 2   |
| 29       | 0057816  | BOLT M16 X 155-GB5782            | 2   |
| 30       | 2001000  | BASE PLATE                       | 1   |
| 31       | 0097016  | WASHER16-GB97.1                  | 2   |
| 32       | 0097012  | WASHER12-GB97.1                  | 8   |
| 94       | 2001001  | RUBBER MAT (OPTIONAL)            | 1   |
| 95       | 2001002  | FIX STRIP (OPTIONAL)             | 1   |
| 96       | 0097017  | WASHER 10-GB97 (OPTIONAL)        | 2   |
| 97       | 0093010  | SPRING WASHER 10-GB93 (OPTIONAL) | 2   |
| 98       | 0057810  | BOLT M10X40-GB5783 (OPTIONAL)    | 2   |



MS100 PARTS LIST 3

## MS100 PARTS LIST 3

| ITEM NO. | PART NO. | DESCRIPTION              | QTY |
|----------|----------|--------------------------|-----|
| 33       | 0057808  | BOLT M8X20 - GB5782      | 1   |
| 34       | 0093008  | SPRING WASHER 8-GB93     | 1   |
| 35       | 2007001  | PULLEY                   | 1   |
| 36       | 0089424  | RETAINING RING24-GB894   | 2   |
| 37       | 2007005  | UNBALANCE WEIGHT         | 2   |
| 38       | 0070006  | CAP SCREW M6 X 20-GB70.1 | 6   |
| 39       | 0098770  | OIL SEAL-GB9877          | 2   |
| 40       | 2007004  | BEARING COVER            | 2   |
| 41       | 2007008  | BEARING COVER GASKET     | 2   |
| 42       | 0027606  | BEARING42306-GB276       | 2   |
| 43       | 0010768  | KEY A8 X 25-GB1076       | 2   |
| 44       | 2007002  | SHAFT                    | 1   |
| 45       | 2007003  | PILLOW BLOCK             | 1   |
| 46       | 0097008  | WASHER 8 - GB97.1        | 1   |
| 47       | 0097006  | WASHER 6 - GB97.1        | 6   |



**MS100 PARTS LIST 4**



## MS100 PARTS LIST 4

| ITEM NO. | PART NO.   | DESCRIPTION                 | QTY |
|----------|------------|-----------------------------|-----|
| 58       | A2008009-1 | SPRING PIPE                 | 1   |
| 59       | 0070008    | BOLT M8X16-GB70             | 4   |
| 60       | 0093008    | SPRING WASHER8-GB93         | 4   |
| 61       | A2008010   | PIPE HOLDER (L.)            | 1   |
| 62       | A2008011   | PIPE HOLDER (R.)            | 1   |
| 63       | 0057838    | BOLT M8X16-GB5783           | 2   |
| 64       | 0093008    | SPRING WASHER8-GB93         | 2   |
| 65       | A2008012   | SEAT PACKING                | 2   |
| 66       | A2008013   | RUBBER WASHER               | 2   |
| 67       | 0093008    | SPRING WASHER 8-GB93        | 4   |
| 84       | 0081800    | BOLT M10X30-GB818           | 1   |
| 85       | 0097010    | WASHER 10-GB97.1            | 1   |
| 86       | A2008005-1 | CAP OF WATER TANK           | 1   |
| 87       | 0097010    | WASHER 10-GB97.1            | 1   |
| 88       | 0088910    | NUT M10-GB889               | 1   |
| 89       | A2008006-1 | WATER TANK                  | 1   |
| 90       | A2008007-1 | COCK                        | 1   |
| 91       | A2008003-1 | CLIP HOOP                   | 1   |
| 92       | A2008008   | HOSE $\phi$ 10X100          | 1   |
| 93       | 2008014    | WATER TANK ASSY. (OPTIONAL) | 1   |



*Distributed By*



**MASALTA ENGINEERING CO., LTD**

Add: Weisi Road, Baohe Industrial Estate, Hefei, China  
Tel: 86-551-4846600, 4846601 Fax: 86-551-4846616  
E-mail: [sales@masalta.com.cn](mailto:sales@masalta.com.cn), [masalta@mail.hf.ah.cn](mailto:masalta@mail.hf.ah.cn),  
[Http://www.masalta.com.cn](http://www.masalta.com.cn)

## **ОФИЦИАЛЬНЫЙ ДИЛЕР В УКРАИНЕ:**

[storgom.ua](http://storgom.ua)

## **ГРАФИК РАБОТЫ:**

Пн. – Пт.: с 8:30 по 18:30

Сб.: с 09:00 по 16:00

Вс.: с 10:00 по 16:00

## **КОНТАКТЫ:**

+38 (044) 360-46-77

+38 (066) 77-395-77

+38 (097) 77-236-77

+38 (093) 360-46-77

Детальное описание товара: <https://storgom.ua/product/vibroplita-masalta-ms100-4.html>

Другие товары: <https://storgom.ua/vibroplity.html>